

# EAD ONLINE CLASSES

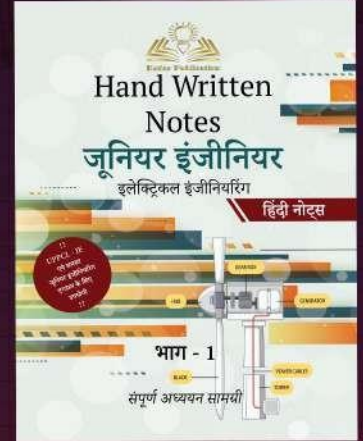
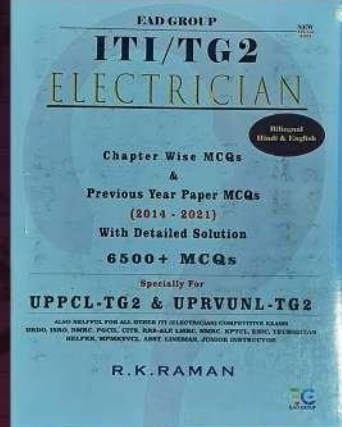
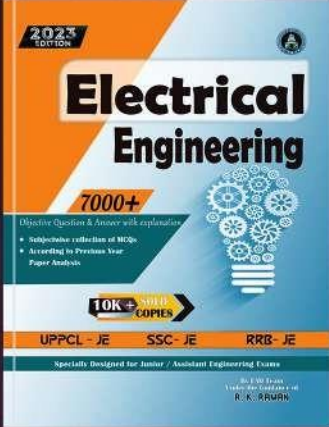
## Objective Book for

Electrical-JE

Electronics-JE

ITI-Electrician

JE Short Notes



Buy our Books at:-

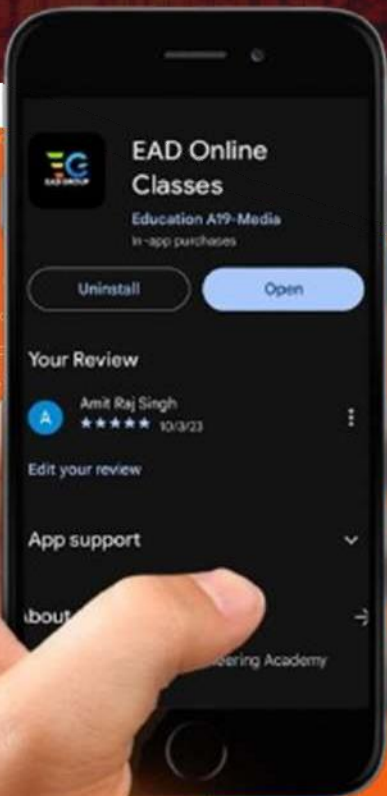
**eadbooks.in**  
 **Amazon**

Exam Targeted:-

**UPPCL-JE, SSC-JE RRB-JE**  
**PGCIL-DT, DFCCIL-JE, ITI Etc.**



**Raman sir**  
Electrical Engg. Expert



### LOCATION

**DEHRADUN CENTRE**

EAD Educational Group, Pithuwalan kalan, Dehradun (UK)

**PRAYAGRAJ CENTRE**

EAD Educational Group, Horizon public school, Pandey Tower, Om gayatari nagar, Near shiv chowraha, Salori Prayagraj (UP)

Contact us:-

**9389976136**

Download EAD Online Classes application on playstore



# Uttar Pradesh Power Corporation Limited

Electricity Service Commission, Uttar Pradesh Power Corporation Ltd. S.L.D.C campus, near Mantri Awas, Vibhuti Khand Phase-2, Gomti Nagar, Lucknow-226010

Participant ID	
Participant Name	
Test Center Name	iON Digital Zone Ganga Nagar Meerut
Test Date	07/09/2021
Test Time	2:30 PM - 5:30 PM
Subject	Junior Engineer (Trainee) Electrical

## Section : Domain Knowledge

Q.1 Which of the following is NOT an advantage of air blast circuit breakers?

- Ans
- A. High speed operation is achieved.
  - B. The stability of the system can be well maintained.
  - C. There is no possibility of air leakages at the pipe fittings.
  - D. This type of circuit breaker is almost maintenance free.

Question ID : 9277592079  
Status : Answered  
Chosen Option : C

Q.2 \_\_\_\_\_ is NOT one of the main components of a nuclear power plant.

- Ans
- A. Extender
  - B. Electric generator
  - C. Steam generator
  - D. Nuclear reactor

Question ID : 9277592045  
Status : Answered  
Chosen Option : A

Q.3 Figure out the INCORRECT reason from the below points for which 'ash' needs to be quenched before handling in steam power plant?

- Ans
- A. Quenching maintains corrosion action of the ash.
  - B. It reduces the dust accompanying the ash.
  - C. It reduces temperature of the ash.
  - D. Ash forms clinkers by fusing in large lumps and by quenching clinkers will disintegrate.

Question ID : 9277592032  
Status : Answered  
Chosen Option : B

Q.4 Which of the following is NOT an advantage of geothermal energy?

- Ans  A. It is a renewable energy source  
 B. It is least polluting as compared to other conventional energy sources.  
 C. The initial capital investment cost is high  
 D. It is a reliable source of energy

Question ID : 9277592050  
Status : Answered  
Chosen Option : D

Q.5 The standard voltages for three phase at which the supply authorities deliver power to the consumer is:

- Ans  A. 240 V, 50 Hz, 2 wire  
 B. 415 V, 50 Hz, 4 wire  
 C. 415 V, 50 Hz, 3 wire  
 D. 240 V, 50 Hz, 4 wire

Question ID : 9277592010  
Status : Answered  
Chosen Option : B

Q.6 For \_\_\_\_\_, the frequency range is limited to a maximum of about 5 KHz.

- Ans  A. carbon microphones  
 B. dynamic microphones  
 C. capacitive microphones  
 D. piezoelectric microphones

Question ID : 9277591967  
Status : Answered  
Chosen Option : D

Q.7 Which of the following statements is INCORRECT for SMPS?

- Ans  A. Ripples are more at the output.  
 B. Power handling capacity is high.  
 C. Series pass transistor acts as a switch.  
 D. Response to load variation is fast.

Question ID : 9277592001  
Status : Not Answered  
Chosen Option : -

Q.8 A 4.0 ampere ammeter has a resistance of 0.01  $\Omega$ . Determine the efficiency of the instrument.

- Ans  A. 25 A/W  
 B. 25.01 A/W  
 C. 16 A/W  
 D. 1.6 A/W

Question ID : 9277591962  
Status : Answered  
Chosen Option : A

Q.9 In \_\_\_\_\_, the information from different measuring points is transmitted serially one after another on the same communication channel.

- Ans  A. rapid division multiplexing  
 B. frequency division multiplexing  
 C. time division multiplexing  
 D. corresponding multiplexing

Question ID : 9277591968  
Status : Answered  
Chosen Option : B

Q.10 PLC stands for \_\_\_\_\_ logic controller.

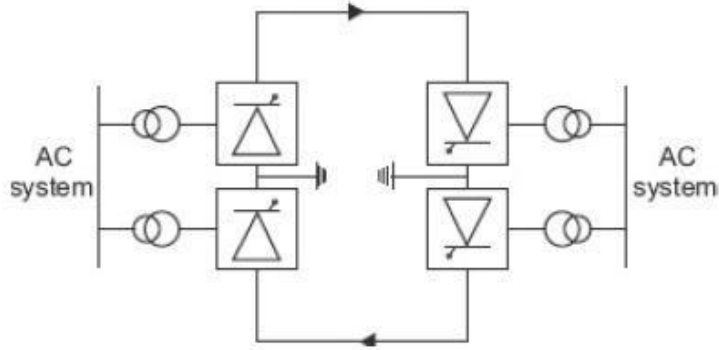
- Ans  A. periodic  
 B. piezo-electric  
 C. Process  
 D. programmable

Question ID : 9277592080  
Status : Answered  
Chosen Option : D

EAD GROUP



Q.11



The given layout belongs to:

- Ans
- A. induced link
  - B. bipolar link
  - C. homopolar link
  - D. monopolar link

Question ID : 9277592058  
Status : Answered  
Chosen Option : B

Q.12 The no-load current drawn by a transformer is usually \_\_\_\_\_ of the full-load current.

- Ans
- A. 15 to 20 percent
  - B. 2 to 5 percent
  - C. 0.2 to 0.5 percent
  - D. 10 to 15 percent

Question ID : 9277591988  
Status : Answered  
Chosen Option : B

Q.13 The information is embedded in the ROM, in the form of bits, by a process known as \_\_\_\_\_ the ROM.

- Ans
- A. Retrieving
  - B. Copying
  - C. Reading
  - D. Programming

Question ID : 9277591986  
Status : Answered  
Chosen Option : D

Q.14 A metal clad switchgear having barriers of insulating is \_\_\_\_\_.

- Ans  A. door kiosk switchgear  
 B. indoor switchgear  
 C. distribution switchgear  
 D. compartmented switchgear

Question ID : 9277592074  
Status : Not Answered  
Chosen Option : -

Q.15 Which of the following is an INCORRECT advantage of gas turbine power plants over diesel power plants?

- Ans  A. Gas turbine power plants have lower installation and maintenance cost.  
 B. Gas turbine power plants display higher mechanical efficiency.  
 C. The work developed per kg of air is large.  
 D. Gas turbine power plants have a comparatively longer life.

Question ID : 9277592037  
Status : Answered  
Chosen Option : C

Q.16 Which of the following statements is INCORRECT for the electrical conducting material, copper?

- Ans  A. Its colour is reddish.  
 B. It has low contact resistance.  
 C. It is highly malleable and ductile.  
 D. It has lowest resistance per unit weight.

Question ID : 9277591973  
Status : Answered  
Chosen Option : B

Q.17 Overheating of an insulator is due to \_\_\_\_\_ between one metal part to the other. This causes unequal expansion of porcelain, thus shattering the insulator with cracking.

- Ans  A. porosity  
 B. mechanical stress  
 C. short-circuit  
 D. flash-over

Question ID : 9277592063  
Status : Answered  
Chosen Option : D

Q.18 The dimensions  $ML^2 T^{-2}$  may correspond to:

- Ans
- A. Stiffness
  - B. dynamic viscosity
  - C. Momentum
  - D. surface tension

Question ID : 9277591959  
Status : Answered  
Chosen Option : A

Q.19 Which type of chopper circuit is generally used for the reversible DC motor and corresponding breaking operation?

- Ans
- A. Type A chopper
  - B. Type E chopper.
  - C. Type D chopper
  - D. Type C chopper

Question ID : 9277591998  
Status : Answered  
Chosen Option : D

Q.20 Which of the following parameters is mostly caused by leakage over the insulators, and is always neglected in a power transmission line?

- Ans
- A. Shunt conductance
  - B. Inductance
  - C. Resistance
  - D. Capacitance

Question ID : 9277592054  
Status : Answered  
Chosen Option : D

Q.21 Which of the following is a ferrous metal?

- Ans
- A. Duralumin
  - B. Brass
  - C. Steel
  - D. Lead

Question ID : 9277591969  
Status : Answered  
Chosen Option : C

Q.22 \_\_\_\_\_ is defined as the luminous intensity per unit projected area of the surface in the given direction.

- Ans
- A. Candle power
  - B. Lumen
  - C. Illumination
  - D. Luminance

Question ID : 9277592103  
Status : Answered  
Chosen Option : C

Q.23 \_\_\_\_\_ is NOT one of the leading PLC manufacturers.

- Ans
- A. NEMS
  - B. ALLEN Bradley
  - C. MODICON
  - D. SIEMENS

Question ID : 9277592085  
Status : Answered  
Chosen Option : B

Q.24 \_\_\_\_\_ converts binary-coded information to unique outputs such as decimal, octal digits, etc.

- Ans
- A. Decoder
  - B. Demultiplexing
  - C. Multiplexing
  - D. Encoder

Question ID : 9277591979  
Status : Answered  
Chosen Option : A

Q.25 \_\_\_\_\_ is used for execution of a program.

- Ans
- A. Data memory
  - B. User memory
  - C. Executive memory
  - D. System memory

Question ID : 9277592087  
Status : Answered  
Chosen Option : D



Q.26 \_\_\_\_\_ is NOT one of the application fields of a diesel power plant.

- Ans  A. Peak load plant  
 B. Central stations with capacity of 10-50 MW  
 C. Mobile plants  
 D. Standby units

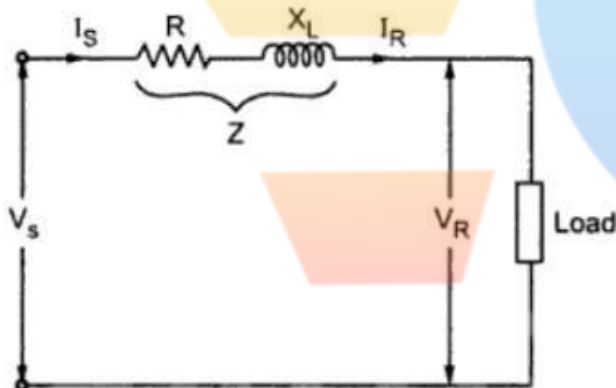
Question ID : 9277592034  
Status : Answered  
Chosen Option : B

Q.27 When the length of an overhead transmission line is less than 80 km with an operating voltage upto 20 kV, it is considered to be a/an \_\_\_\_\_.

- Ans  A. long transmission line  
 B. short transmission line  
 C. medium transmission line  
 D. ultra-long transmission

Question ID : 9277592051  
Status : Answered  
Chosen Option : B

Q.28



The given figure represents:

- Ans  A. long transmission line  
 B. medium transmission line  
 C. short transmission line  
 D. ultra-long transmission line

Question ID : 9277592053  
Status : Answered  
Chosen Option : C

Q.29 The ratio of energy obtained from a battery while discharging to energy given to the battery while charging is:

- Ans
- A. KW efficiency
  - B. AH efficiency
  - C. WH efficiency
  - D. D/C efficiency

Question ID : 9277592002  
Status : Answered  
Chosen Option : B

Q.30 Which of the following is NOT an advantage of PLC over electromechanical relay?

- Ans
- A. The outputs may be a mixture of conventional relays and solid-state relays.
  - B. All devices such as drum, switches, timers and counters are implemented using physical controllers.
  - C. They are designed for an electrically noisy environment, so no extra filtering is required.
  - D. They are smaller, faster and more reliable than hardwired systems.

Question ID : 9277592082  
Status : Answered  
Chosen Option : B

Q.31 In which of the following starters is No Volts Coil (NVC) connected in series with the field coil?

- Ans
- A. Two point starters
  - B. Five point starters
  - C. Three point starters
  - D. Four point starters

Question ID : 9277591997  
Status : Answered  
Chosen Option : C

Q.32 On which of the following factors does the resistivity of a material NOT depend?

- Ans
- A. Resistance of the conductor
  - B. Length of the conductor
  - C. Area of conductor section
  - D. Conductor humidity

Question ID : 9277591975  
Status : Answered  
Chosen Option : D

Q.33 Which of the following is NOT one of the advantages of a single three-phase transformer bank over a three single-phase transformer bank?

- Ans  A. The core is of larger size which makes it robust.  
 B. It weighs less.  
 C. The cost is less.  
 D. It occupies less space for same rating.

Question ID : 9277591992  
Status : Answered  
Chosen Option : A

Q.34 Which of the following applications is INCORRECT for gas turbine plants for the purpose of power plant engineering?

- Ans  A. To work as combination plants with conventional steam boilers.  
 B. To act as good part load efficiency power plant.  
 C. To supply mechanical drive of auxiliaries.  
 D. To drive generators and supply peak loads in steam, diesel or hydro plants.

Question ID : 9277592036  
Status : Answered  
Chosen Option : B

Q.35



The given symbol belongs to which of the following circuit elements?

- Ans  A. Position of fault to frame  
 B. Screened fault  
 C. Chassis connection  
 D. Chassis earth connection

Question ID : 9277592009  
Status : Answered  
Chosen Option : A

Q.36 Seismic transducer may be used in \_\_\_\_\_ mode.

- Ans  A. in-active  
 B. static  
 C. displacement  
 D. low velocity

Question ID : 9277591961  
Status : Answered  
Chosen Option : A

Q.37 Which of the following logic families requires maximum power?

- Ans  A. ECL  
 B. CMOS  
 C. TTL  
 D. DCTL

Question ID : 9277591985  
Status : Not Answered  
Chosen Option : --

Q.38 A typical block diagram of PLC does NOT consist of:

- Ans  A. data supply module  
 B. communication interface module  
 C. chassis  
 D. central processing unit

Question ID : 9277592081  
Status : Answered  
Chosen Option : C

Q.39 Which of the following is used by the serial port to control data rates?

- Ans  A. Register SCON  
 B. Register PCON  
 C. Register SBUF  
 D. Pin RXD and TXD

Question ID : 9277592090  
Status : Not Answered  
Chosen Option : --

Q.40 \_\_\_\_\_ is a conductor from which tapings are taken for supply to the consumers.

- Ans  A. Delivery unit  
 B. Distributor  
 C. Service main  
 D. Feeder

Question ID : 9277592067  
Status : Answered  
Chosen Option : C

Q.41 Which of the following is used in household applications such as washing machines, ceiling fans and water coolers?

- Ans  A. Slip-ring induction motor  
 B. Single phase induction motor  
 C. Three phase induction motor  
 D. Squirrel cage induction motor

Question ID : 9277592024  
Status : Answered  
Chosen Option : B

Q.42 Low tension cables are generally used up to:

- Ans  A. 11 kV  
 B. 33 kV  
 C. 66 kV  
 D. 1 kV

Question ID : 9277592065  
Status : Answered  
Chosen Option : D

Q.43 Which of the following is one of the categories of core loss in a DC machine?

- Ans  A. Friction loss  
 B. Loss due to series field winding  
 C. Windage loss  
 D. Hysteresis loss

Question ID : 9277591991  
Status : Answered  
Chosen Option : D

Q.44 A \_\_\_\_\_ arithmetic circuit adds two binary digits, giving a sum bit and a carry bit.

- Ans  A. half-adder  
 B. full-subtractor  
 C. full-adder  
 D. half-subtractor

Question ID : 9277591982  
Status : Answered  
Chosen Option : C

Q.45 Which of the following is NOT the reason behind selecting marble for making 'formers' for inductance coils?

- Ans  A. It is comparatively cheap.  
 B. It is a non-magnetic material.  
 C. It can be easily machined.  
 D. It has a very small co-efficient of thermal expansion.

Question ID : 9277591960  
Status : Answered  
Chosen Option : C

Q.46 One of the most commonly used materials for insulators of an overhead transmission line, i.e. glass, has the drawback (when used as an insulator material) that:

- Ans  A. its thermal expansion is high
- B. moisture condenses more readily on its surface
- C. it has low resistivity when properly annealed
- D. material always remains porous

Question ID : 9277592061  
Status : Answered  
Chosen Option : A

Q.47 Which of the following is the correct use of 'delta/delta' connections?

- Ans  A. This connection is economical for HV transformers.
- B. This is used for smaller power systems.
- C. This is the best match for ultra HV transformers.
- D. This suits large LV transformers.

Question ID : 9277591987  
Status : Answered  
Chosen Option : B

Q.48 What is the function of wrenches, used for distribution line maintenance?

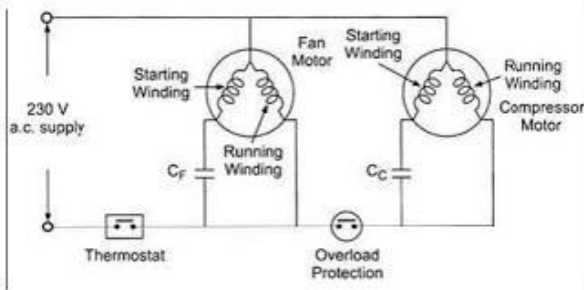
- Ans  A. Used to provide grip to apply torque for turning objects such as nuts or bolts.
- B. Used to turn, tighten or remove screws.
- C. Used to tighten screws of fixed sizes
- D. Used to allow rotary motion in only one direction and prevent the motion in the opposite direction.

Question ID : 9277592094  
Status : Answered  
Chosen Option : A

EAD GROUP



Q.49



The given electrical circuit belongs to which appliance?

- Ans
- A. water cooler
  - B. air conditioner
  - C. does not belong to any domestic appliance
  - D. refrigerator

Question ID : 9277592099  
Status : Answered  
Chosen Option : D

Q.50 \_\_\_\_\_ are those materials in which valence electrons are very tightly bound to their parent atoms thus requiring a very large electric field to remove them from attraction of nuclei.

- Ans
- A. Insulators
  - B. Magnetic materials
  - C. Conductors
  - D. Semiconductors

Question ID : 9277591970  
Status : Answered  
Chosen Option : A

Q.51 The fuses that have a high rupturing capacity and that are available in ratings from 2 to 1250 amperes is:

- Ans
- A. Filler type cartridge fuses
  - B. Diazed cartridge fuses
  - C. D-type cartridge fuses
  - D. Link-type HRC cartridge fuses

Question ID : 9277592011  
Status : Answered  
Chosen Option : C

Q.52 Which of the following is the dis-advantage of the underground power station?

- Ans  A. Uninterrupted construction work in adverse weather  
 B. The cost of construction of power station and accessories  
 C. There is greater freedom in positioning stations.  
 D. Better rock bearing properties

Question ID : 9277592042  
Status : Answered  
Chosen Option : B

Q.53 Insulating materials such as cotton or oiled cambric are used for which part of transformers?

- Ans  A. Air cooled and oil cooled transformers  
 B. As spaces, packing between coils  
 C. For insulating the conductors of an oil cooled transformer  
 D. For taping the coils of air-cooled transformers

Question ID : 9277591974  
Status : Answered  
Chosen Option : B

Q.54 The rod and pipe electrodes should NOT be less than \_\_\_\_\_ in length.

- Ans  A. 1.5 m  
 B. 2.5 m  
 C. 6 m  
 D. 15 m

Question ID : 9277592012  
Status : Answered  
Chosen Option : A

Q.55 Which of the following is one of the shortcomings of wind energy?

- Ans  A. It is fluctuating in nature.  
 B. It is renewable source of energy.  
 C. Wind power systems do not pollute the atmosphere.  
 D. In it fuel provision and transport are not required.

Question ID : 9277592048  
Status : Answered  
Chosen Option : A

Q.56 An array of points in three dimensions in which every point has surroundings identical to that of every other point in the array.

The given statement is true for:

- Ans
- A. Space lattice
  - B. Crystallographic planes
  - C. Crystallographic parameter of a unit cell
  - D. Unit cell

Question ID : 9277591976  
Status : Answered  
Chosen Option : D

Q.57 Which of the following is an incorrect method to save energy while working with an electric iron appliance?

- Ans
- A. Do not put more water while ironing.
  - B. Switch on/off the automatic iron, regulating its heat according to the clothes to be ironed.
  - C. Select iron boxes with automatic temperature cutoff.
  - D. Do not iron wet clothes.

Question ID : 9277592068  
Status : Answered  
Chosen Option : B

Q.58 In 11 kV lines, when conductors are in horizontal or delta formation, \_\_\_\_\_ is provided.

- Ans
- A. cage guard
  - B. square guard
  - C. box guard
  - D. cradle guard

Question ID : 9277592020  
Status : Not Answered  
Chosen Option : -

Q.59 Which of the following is NOT a secondary instrument?

- Ans
- A. Voltmeter
  - B. Tangent galvanometer
  - C. Wattmeter
  - D. Ammeter

Question ID : 9277591955  
Status : Answered  
Chosen Option : B

Q.60 \_\_\_\_\_ charges include general office expenses, rent rates of lightning and heating, depreciation of furniture and office equipment.

- Ans
- A. Profit purchase system
  - B. Time value
  - C. Contingency
  - D. Overhead

Question ID : 9277592016  
Status : Answered  
Chosen Option : D

Q.61 Which of the following is NOT necessary to check in air break switches maintenance?

- Ans
- A. Damage of earth wire
  - B. Missing of the lock
  - C. Blades/contact burning
  - D. Dust accumulation of conductors

Question ID : 9277592101  
Status : Answered  
Chosen Option : D

Q.62 The electrical energy available from \_\_\_\_\_ is meant for general sale to the customers who wish to purchase it.

- Ans
- A. reserved power stations
  - B. industrial power stations
  - C. captive power stations
  - D. central stations

Question ID : 9277592027  
Status : Answered  
Chosen Option : D

Q.63 Which of the following statements is INCORRECT for a microcontroller?

- Ans
- A. It has more than two instructions to move data between memory and CPU.
  - B. It is less flexible from the design point of view compared to a microprocessor.
  - C. It has many bit handling instructions.
  - D. It has a separate memory map for data and code.

Question ID : 9277592086  
Status : Answered  
Chosen Option : D

Q.64 The simplest form of PLC programming, also known as relay logic, is/are \_\_\_\_\_.

- Ans  A. instruction diagrams  
 B. sequential block diagram  
 C. function block diagram  
 D. ladder diagrams

Question ID : 9277592083  
Status : Answered  
Chosen Option : D

Q.65 The electrical connections can be ensured between the commutator as well as exterior load circuit with the help of:

- Ans  A. Poles  
 B. poles shoe  
 C. Brushes  
 D. Shaft

Question ID : 9277591989  
Status : Answered  
Chosen Option : C

Q.66 Which of the following is NOT a method of protection of transmission lines?

- Ans  A. Distance protection  
 B. Fast selective overcurrent protection  
 C. Current graded overcurrent protection  
 D. Time graded overcurrent protection

Question ID : 9277592075  
Status : Answered  
Chosen Option : B

Q.67



The given symbol relates to:

- Ans  A. underground cable  
 B. overhead line  
 C. planned cable  
 D. existing cable

Question ID : 9277592006  
Status : Answered  
Chosen Option : A

Q.68 The strategy which involves repair or replacement only when deterioration of the condition causes functional failure is known as:

- Ans
- A. condition monitoring
  - B. preventive maintenance
  - C. reactive maintenance
  - D. proactive maintenance

Question ID : 9277592093  
Status : Answered  
Chosen Option : B

Q.69 Which of the following is NOT an electrical property of material?

- Ans
- A. Dielectric strength
  - B. Inductivity
  - C. Conductivity
  - D. Temperature coefficient of resistance

Question ID : 9277591971  
Status : Answered  
Chosen Option : B

Q.70 Which of the following is NOT an advantage of diesel power plants?

- Ans
- A. Can be started and put on load quickly
  - B. Low maintenance cost
  - C. Can burn fairly wide range of fuels
  - D. Occupy less space

Question ID : 9277592035  
Status : Answered  
Chosen Option : C

Q.71 Low line (LT) maintenance does NOT include:

- Ans
- A. removal of bird nests
  - B. replacement of batteries of each pole base
  - C. alignment of poles
  - D. tree clearance

Question ID : 9277592095  
Status : Answered  
Chosen Option : B

Q.72 Which of the following process is NOT the part of PLC during operation?

- Ans
- A. It opens
  - B. It writes
  - C. It executes
  - D. It reads

Question ID : 9277592084  
Status : Answered  
Chosen Option : A



Q.73 The material used for making arcing contacts is \_\_\_\_ .

- Ans  A. electrolytic copper  
 B. alumina  
 C. porcelain  
 D. silver tungsten

Question ID : 9277592078  
Status : Answered  
Chosen Option : A

Q.74 Which of the following is NOT one of the methods to improve string efficiency of insulators?

- Ans  A. Selection of m  
 B. Disc porosity  
 C. Guard ring  
 D. Grading of insulators

Question ID : 9277592064  
Status : Answered  
Chosen Option : A

Q.75 Which of the following is NOT one of the advantages of an HVDC transmission system?

- Ans  A. Economical transmission of the bulk power  
 B. Flexibility in operation  
 C. This system needs some additional equipment such as converter transformer, electrical and mechanical auxiliaries, pole control, valve control, and many more  
 D. The current density is uniform throughout the line. Hence, there is no skin effect in the HVDC system

Question ID : 9277592059  
Status : Answered  
Chosen Option : C

Q.76 \_\_\_\_\_ is defined as the ratio of the luminous flux to the power input.

- Ans  A. Luminance factor  
 B. Maintenance factor  
 C. Luminous intensity  
 D. Luminous Efficacy

Question ID : 9277592104  
Status : Answered  
Chosen Option : D

Q.77 Which of the following is NOT an advantage of non-conventional sources of energy?

- Ans  A. They are noise-free sources of energy.  
 B. They are well suited for decentralised use.  
 C. They do not pollute the atmosphere.  
 D. They are available in large quantities.

Question ID : 9277592047  
Status : Answered  
Chosen Option : B

Q.78 The cross-sectional area of a conductor for power wiring should NOT be less than \_\_\_\_\_ for a copper wire and \_\_\_\_\_ for aluminium.

- Ans  A.  $1.50 \text{ mm}^2$  ,  $2.50 \text{ mm}^2$   
 B.  $1.0 \text{ mm}^2$  ,  $1.50 \text{ mm}^2$   
 C.  $1.0 \text{ mm}^2$  ,  $1.0 \text{ mm}^2$   
 D.  $2.50 \text{ mm}^2$  ,  $1.50 \text{ mm}^2$

Question ID : 9277592013  
Status : Answered  
Chosen Option : A

Q.79 \_\_\_\_\_ Contact are used in battery ignition systems, vibrators and electric razors.

- Ans  A. Tungsten  
 B. Nickel  
 C. Tin  
 D. Iron and steel

Question ID : 9277591972  
Status : Answered  
Chosen Option : D

Q.80 Which of the following is an advantage of nuclear power plants?

- Ans  A. The maintenance cost is always low.  
 B. Its capital cost is always high.  
 C. The disposal of fission products is smooth.  
 D. Its operation is more reliable.

Question ID : 9277592046  
Status : Answered  
Chosen Option : A

Q.81 Choppers do NOT provide:

- Ans  A. AC regulation  
 B. Regeneration  
 C. Fast response  
 D. Smooth control

Question ID : 9277591999  
Status : Answered  
Chosen Option : B

Q.82 Which of the following must NOT be considered while drawing a schematic diagram?

- Ans  A. Branched circuits of equal importance should be drawn similar to one another.  
 B. Switches, push buttons and contacts should be drawn in actuated position.  
 C. The supply lines should be drawn horizontally while the different circuit connections should be drawn vertically.  
 D. Switches, push buttons and contacts should be drawn in such a way that their movement is from left to right.

Question ID : 9277592008  
Status : Answered  
Chosen Option : D

Q.83 \_\_\_\_\_ is an example of a passive transducer.

- Ans  A. Piezoelectric  
 B. Thermocouple  
 C. Electromagnetic pickup  
 D. Linear variable differential transformer (LVDT)

Question ID : 9277591956  
Status : Answered  
Chosen Option : D

Q.84 One of the following instruments is used to measure AC current only. Identify that instrument.

- Ans  A. Megger  
 B. Multiplexer  
 C. Permanent Magnet Type ammeter  
 D. Induction type ammeter

Question ID : 9277591965  
Status : Answered  
Chosen Option : D

Q.85 Which of the following points need NOT be considered while selecting type of wiring?

- Ans
- A. Expected future alterations
  - B. Atmospheric hazards
  - C. Fire hazards
  - D. Size of the installation

Question ID : 9277592014  
Status : Answered  
Chosen Option : B

Q.86 From the following options, \_\_\_\_\_ is the most energy efficient bulb.

- Ans
- A. fluorescent bulb
  - B. incandescent bulb
  - C. mercury bulb
  - D. compact fluorescent light bulb

Question ID : 9277592070  
Status : Answered  
Chosen Option : D

Q.87 Which of the following requirements or properties is NOT essential for line insulators?

- Ans
- A. They should be porous.
  - B. They must have high ratio of puncture strength to flash over voltage.
  - C. Dielectric strength must be very high.
  - D. They must be free from internal impurities.

Question ID : 9277592060  
Status : Answered  
Chosen Option : D

Q.88 Which of the following is NOT one of the factors that effects the schedule of new business initiations?

- Ans
- A. Consumer expenditure
  - B. Government policies
  - C. Profitability
  - D. Weather conditions

Question ID : 9277592072  
Status : Answered  
Chosen Option : D

Q.89 The DC motor characteristics, also known as mechanical characteristics is:

- Ans
- A. torque-armature current characteristics
  - B. speed-torque characteristics
  - C. torque-flux characteristics
  - D. speed-armature current characteristics

Question ID : 9277591996  
Status : Answered  
Chosen Option : B

Q.90 Which of the following is NOT an advantage of Pulse Duration Modulation (PDM) recording?

- Ans  A. It has a less complex electronic circuitry and therefore the reliability of such system is high.
- B. It has the ability to simultaneously record information from a large number of channels.
- C. It has high S/N ratio.
- D. It has high accuracy due to the fact that it can be self-calibrated.

Question ID : 9277591964  
Status : Not Answered  
Chosen Option : -

Q.91 From the following options, the most suitable place to install the main switch board is:

- Ans  A. at kitchen adjacent to the entrance room
- B. within 2.5 meters of any wash basin
- C. at/near the entrance of the building
- D. at walls exposed to the sky for sufficient sunlight

Question ID : 9277592015  
Status : Answered  
Chosen Option : C

Q.92 For which type of motor are both the given characteristics true?

1. No-load condition is dangerous.
2. Variable speed.

- Ans  A. Shunt motors
- B. Series motors
- C. Differential compound motors
- D. Cumulative compound motors

Question ID : 9277591993  
Status : Answered  
Chosen Option : B

Q.93 The feature desired for bus protection does NOT include:

- Ans  A. Freedom from unwanted operation
- B. Stability for external faults
- C. Operation due to CT saturation or power swings
- D. Separate control of trip circuit of each circuit-breaker

Question ID : 9277592077  
Status : Answered  
Chosen Option : A

Q.94 Which of the following logic functions is used for load connecting "YES" contact to the left-hand bus bar?

- Ans  A. LD NOT  
 B. LD  
 C. AND NOT  
 D. NOT

Question ID : 9277592005  
Status : Not Answered  
Chosen Option : -

Q.95 Identify the INCORRECT statement with regard to the problems in operating large windpower generators.

- Ans  A. A constant angular velocity is a must for generating AC power and this means very sensitive governing.  
 B. Locating a site that has a reasonable average high wind velocity is a must.  
 C. At zero velocity conditions, the power generated will be zero and this means some storage system will have to be incorporated along with the windmill.  
 D. Large areas of land will be available due to sufficient spacing in wind mill gardens, which somehow cannot be utilised for other commercial activities.

Question ID : 9277592049  
Status : Answered  
Chosen Option : D

Q.96 Which of the following is NOT an advantage of electric heating?

- Ans  A. This system is free from dirt.  
 B. Special type of heating can be done very accurately by electric heating system.  
 C. The overall efficiency of electric heating is much higher.  
 D. Simple and accurate pressure control can be made either by manual or fully automatic switches.

Question ID : 9277592100  
Status : Answered  
Chosen Option : B

Q.97 Asynchronous counters are also known as \_\_\_\_\_.

- Ans  A. VLSI counters  
 B. square counters  
 C. SSI counters  
 D. ripple counters

Question ID : 9277591984  
Status : Answered  
Chosen Option : D



Q.98 Which of the following are NOT temperature measuring devices?

Ans  A. Semiconductor thermometers

B. Manometers

C. Thermocouples

D. Radiation pyrometers

Question ID : 9277591966

Status : Answered

Chosen Option : B

Q.99 Which of the following is NOT an advantage of oil filled cables over solid cables?

Ans  A. The possibility of formation of voids is eliminated.

B. The maximum allowable stress increases.

C. Installation and maintenance is straight-forward.

D. More perfect impregnation can take place.

Question ID : 9277592066

Status : Answered

Chosen Option : C

Q.100 Solid lump fuels for steam boilers are handled by \_\_\_\_\_.

Ans  A. burners

B. injectors

C. stokers

D. unit boxes

Question ID : 9277592030

Status : Not Answered

Chosen Option : -

Q.101 Which of the following statements is NOT true for transpositions of conductors?

Ans  A. It results in the increase of electromagnetically induced EMF on the wires.

B. It refers to exchanging the positions of power conductors at regular intervals along the line.

C. Transposition's purpose is to balance the capacitances of the line.

D. The flux due to the zero phase sequence or longitudinal current is unaffected by transpositions of power systems.

Question ID : 9277592055

Status : Answered

Chosen Option : A

Q.102 When AC flows in the conductor the current is non-uniformly distributed over the whole cross-section of the conductor, due to which outer filaments of the conductor carry more current than the filaments closer to the centre. This results in a higher resistance to AC than to DC and is known as the \_\_\_\_\_.

- Ans
- A. surrogacy effect
  - B. skin effect
  - C. spirality effect
  - D. proximity effect

Question ID : 9277592056  
Status : Answered  
Chosen Option : B

Q.103 Hexagonal closed-packed (HCP) type crystal structure is found in \_\_\_\_\_.

- Ans
- A. silver
  - B. copper
  - C. zinc
  - D. lead

Question ID : 9277591978  
Status : Answered  
Chosen Option : D

Q.104 Select the factor that should NOT be considered while selecting the site for a hydro-electric plant.

- Ans
- A. Availability of water
  - B. Accessibility of the site
  - C. Type of the land of site
  - D. Sedimentation

Question ID : 9277592040  
Status : Answered  
Chosen Option : D

Q.105 Medium transmission lines CANNOT be analysed by using which of the following methods?

- Ans
- A. Nominal T method
  - B. Nominal  $\pi$  method
  - C. Cognitive method
  - D. Load end capacitance

Question ID : 9277592052  
Status : Answered  
Chosen Option : C

Q.106 The power or strength of the source of light is known as luminous intensity (I) and it is measured in \_\_\_\_\_.

- Ans
- A. candela
  - B. lumen
  - C. lux
  - D. ampere

Question ID : 9277592023  
Status : Answered  
Chosen Option : A

Q.107 Which of the following is an INCORRECT reason due to which instrumental errors arise?

- Ans
- A. Loading effects of instruments
  - B. Inherent shortcomings in the instruments
  - C. Misuse of the instruments
  - D. Partial measuring experience of measurer in the instruments

Question ID : 9277591958  
Status : Answered  
Chosen Option : C

Q.108 Which of the following features is NOT desirable while protecting a transmission line?

- Ans
- A. Independent phase relaying, etc.
  - B. Simultaneous reclosure
  - C. Discrimination between external and internal faults
  - D. Multiple pole switching

Question ID : 9277592076  
Status : Answered  
Chosen Option : B

Q.109 A mechanical switching device used in higher current carrying capacity, having one position of rest (either open or closed) operated otherwise than by hand, capable of making, carrying and breaking overload conditions is called:

- Ans
- A. contactor
  - B. push button
  - C. limit switch
  - D. relay

Question ID : 9277592025  
Status : Answered  
Chosen Option : A

Q.110 Which of the following statements relevant to pin insulators is INCORRECT?

- Ans  A. They can be of single piece or multipiece.  
 B. Pin insulators are commonly used on rural and urban 11 kV primary distribution lines.  
 C. They can take conductor load in tension which often occurs at angles and at dead ends.  
 D. Pin insulators can be used upto 33 kV.

Question ID : 9277592018  
Status : Answered  
Chosen Option : C

Q.111 \_\_\_\_\_ is also called an anti-coincidence gate or inequality detector.

- Ans  A. NOR gate  
 B. X-OR gate  
 C. X-NOR gate  
 D. OR gate

Question ID : 9277591981  
Status : Answered  
Chosen Option : C

Q.112 Which of the following is an INCORRECT advantage of gas turbine power plants over steam power plants?

- Ans  A. The gas turbine plant as peak load plant is more preferable as it can be brought on load quickly and surely.  
 B. Storage of fuel is much smaller and handling is easy.  
 C. The gas turbine plants can work quite economically for short running hours.  
 D. The thermal efficiency of the gas turbine plant increases below 550°C.

Question ID : 9277592039  
Status : Answered  
Chosen Option : D

Q.113 Which of the following is NOT a correct component of a modern steam power plant?

- Ans  A. Induced draught mill.  
 B. Ash precipitators  
 C. Switch yard  
 D. Wagon tippler

Question ID : 9277592028  
Status : Answered  
Chosen Option : C

Q.114 Which of the following is an advantage of rheostatic control method (one of the speed control methods) of DC shunt motor?

- Ans  A. Easy and smooth speed control below normal is possible.
- B. As armature current is less than field current, rheostat required is of small size and capacity.
- C. Due to low power losses the method is inexpensive and highly efficient.
- D. The method needs economical heat dissipation arrangements.

Question ID : 9277591995  
Status : Answered  
Chosen Option : A

Q.115 When light is produced by fittings that throw all the light on the ceiling, from where it is reflected to the area to be lighted, this method of lightning arrangement is known as:

- Ans  A. general diffusing system
- B. semi-direct system
- C. direct lightning arrangement
- D. indirect lightning arrangement

Question ID : 9277592022  
Status : Answered  
Chosen Option : D

Q.116 Which of the following is NOT one of the materials used for HT (11 kV) and LT (415 V) distribution lines?

- Ans  A. Guarding wires
- B. Anticlimbing devices
- C. Street viewing light fittings
- D. Danger sign boards

Question ID : 9277592019  
Status : Answered  
Chosen Option : C

Q.117 Which of the following is NOT a merit of fuse?

- Ans  A. It has current limiting effect.
- B. It is the cheapest type of protection.
- C. Rewiring or replacing fuses after operation consumes minimal amount of time
- D. It interrupts enormous short circuit current without noise.

Question ID : 9277591977  
Status : Answered  
Chosen Option : D

Q.118 Which of the following is a FALSE statement?

- Ans  A. Brayton cycle consists of two isentropic and two reversible isobaric processes.
- B. A gas turbine requires less installation time and cost, is quick in starting and stopping, and has fast response to load changes.
- C. Gas turbines are steady flow power machines in which a gas is compressed, heated and expanded to generate power.
- D. In a simple brayton cycle, the air is first compressed and then compressed air is heated at constant volume.

Question ID : 9277592026  
Status : Not Answered  
Chosen Option : --

Q.119 The horizontal distance between two consecutive supports of an overhead line is called

- Ans  A. span
- B. sag
- C. end to end length of sag
- D. length of span

Question ID : 9277592021  
Status : Answered  
Chosen Option : A

Q.120 Which of the following auxiliaries is essential for starting the generating unit of a hydro plant?

- Ans  A. Exciter
- B. Fans and cooling oil pumps
- C. Battery charging units etc.
- D. Gate hoists

Question ID : 9277592041  
Status : Answered  
Chosen Option : D

Q.121 Which of the following motors is used in refrigeration and air conditioning?

- Ans  A. Three-phase shunt wound commutator motor
- B. DC cumulative motor.
- C. Slip-rings induction motor for large installation
- D. Small torque squirrel-cage induction motor for small units

Question ID : 9277592098  
Status : Answered  
Chosen Option : B



Q.122 Which of the following properties should NOT be present in the insulating cover used in the insulating line?

- Ans
- A. It should prove resistant to weather, UV, ozone, etc.
  - B. It should have enough electrical-tracking resistance.
  - C. It should have enough mechanical resistance to cold weather conditions.
  - D. It should be rigid and astatine-free.

Question ID : 9277592062  
Status : Answered  
Chosen Option : C

Q.123 An Act to provide for efficient use of energy and its conservation and for matters connected therewith or incidental thereto.  
The given statement is true for:

- Ans
- A. The Energy Conservation Act, 2000
  - B. The Energy Conservation Act, 2003
  - C. The Energy Conservation Act, 2001
  - D. The Energy Conservation Act, 2007

Question ID : 9277592069  
Status : Not Answered  
Chosen Option : --

Q.124 Which of the following is NOT one of the commonly used equipment for ash handling in large and medium size steam power plants?

- Ans
- A. Pneumatic conveyor.
  - B. Bucket conveyor
  - C. Belt elevator
  - D. Trollies or rail cars.

Question ID : 9277592033  
Status : Answered  
Chosen Option : D

Q.125 Internal combustion engine drive used for road transport is a type of:

- Ans
- A. conventional electric traction system
  - B. Non-electric traction system
  - C. non-battery drive traction system
  - D. electric traction system

Question ID : 9277592097  
Status : Answered  
Chosen Option : B

Q.126 Which of the following is NOT one of the factors that affects the speed of DC motors?

- Ans  A. The flux  
 B. The atmospheric temperature  
 C. The applied voltage  
 D. The voltage across the armature

Question ID : 9277591994  
Status : Answered  
Chosen Option : B

Q.127 The timer on delay instruction is a three word instruction. Which of the following is NOT the correct word?

- Ans  A. Accumulator word 2  
 B. Base word 1  
 C. Status word 0  
 D. Preset word 1

Question ID : 9277592089  
Status : Not Answered  
Chosen Option : --

Q.128 A simple gas turbine plant does NOT consist of:

- Ans  A. turbine  
 B. auxiliaries such as starting device, fuel system, oil system etc.  
 C. an expander mounted on the same shaft  
 D. the combustor

Question ID : 9277592038  
Status : Answered  
Chosen Option : C

Q.129 Which of the following is NOT one of the types of equipment communicating with each other in a SCADA system?

- Ans  A. RTU (Remote terminal unit)  
 B. HMI (Human machine interface)  
 C. KTU (key terminal unit)  
 D. MTU (master terminal unit)

Question ID : 9277592092  
Status : Answered  
Chosen Option : B

Q.130 Which of the following methods of starting is required for slip ring induction motors of high rating?

- Ans
- A. Star delta starters
  - B. Direct on line starters
  - C. Auto-transformer starters
  - D. Rotor resistance starters

Question ID : 9277592017  
Status : Answered  
Chosen Option : A

Q.131 Which of the following Port are multifunctional for 8051 microcontroller?

- Ans
- A. Port 4 (Pins 21-28)
  - B. Port 1 (Pins 1-8)
  - C. Port 0 (32-39)
  - D. Port 3 (10-17)

Question ID : 9277592088  
Status : Not Answered  
Chosen Option : --

Q.132 The PLC functions which generate output signals according to logical operations performed on input signals are known as:

- Ans
- A. timing functions
  - B. control relay functions
  - C. arithmetic functions
  - D. counting functions

Question ID : 9277592003  
Status : Answered  
Chosen Option : B

Q.133 Which of the following is/are said to be internal risk factor(s) for an entrepreneur?

- Ans
- A. Environmental and natural risk
  - B. Employee risk
  - C. Health and safety risk
  - D. Compliance risk

Question ID : 9277592071  
Status : Answered  
Chosen Option : C

Q.134 The function of a circuit-breaker is:

- Ans
- A. discharge the voltage on the lines to earth after disconnecting them
  - B. disconnecting a part of the system from live parts under no load condition
  - C. switching during normal and abnormal conditions, interrupt the fault currents
  - D. diverting high voltage surges to earth and maintaining continuity during normal voltage

Question ID : 9277592073  
Status : Answered  
Chosen Option : C

Q.135 A meter reads 117.50 V and the true value of the voltage is 117.42 V. Determine the static correction for this instrument.

- Ans
- A. -0.08 V
  - B. 0.08 V
  - C. -0.92 V
  - D. 0.92 V

Question ID : 9277591957  
Status : Answered  
Chosen Option : A

Q.136 1 kg of atomic material (i.e., uranium) can produce as much energy as produced by burning \_\_\_\_\_.

- Ans
- A. 3,000 tonnes of high grade coal.
  - B. 3,300 tonnes of high grade coal
  - C. 300 tonnes of high grade coal.
  - D. 30,000 tonnes of high grade coal

Question ID : 9277592043  
Status : Answered  
Chosen Option : C

Q.137 The instrument that uses induction effect is \_\_\_\_\_.

- Ans
- A. Poynting vector wattmeter
  - B. AC ammeter
  - C. negative meter
  - D. flux meter

Question ID : 9277591963  
Status : Answered  
Chosen Option : D

Q.138 Which of the following statements is INCORRECT with regard to 'light'?

- Ans  A. Light can be described as a vibratory motion, which is transmitted in the form of waves through space.
- B. Light can be of different colours, which depend on the wavelength of the radiation causing it.
- C. Light radiations form a very large part of the complete range of electromagnetic radiations.
- D. It is a form of electromagnetic energy radiated from a body which is capable of being perceived by the human eye.


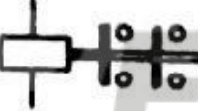
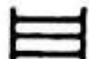
Question ID : 9277592102  
Status : Answered  
Chosen Option : A

Q.139 The relative permeability of \_\_\_\_\_ materials is slightly less than unity.

- Ans  A. anti-ferrimagnetic
- B. diamagnetic
- C. paramagnetic
- D. Ferromagnetic

Question ID : 9277591980  
Status : Answered  
Chosen Option : B

Q.140 Which of the following symbols belongs to the lamp and lightning apparatus, that is group of three 40 W fluorescent lamps?

- Ans  A.  $3 \times 40W$
- B. 
- C. 
- D. 

Question ID : 9277592007  
Status : Answered  
Chosen Option : B

Q.141 Which of the following is NOT one of the rectifier types?

- Ans  A. Uncontrolled
- B. Half controlled
- C. Fully controlled
- D. Percent controlled

Question ID : 9277592000  
Status : Answered  
Chosen Option : D

Q.142 Which of the following is NOT a correct application of shift registers?

- Ans  A. The serial-in serial-out and parallel-in parallel-out shift registers are used to maintain time promptness to digital circuits.
- B. Shift registers are used for data transfer and data manipulation.
- C. Shift registers are used for temporary data storage.
- D. A parallel-in serial-out shift register is used to convert parallel data to serial data.

Question ID : 9277591983  
Status : Answered  
Chosen Option : D

Q.143 Which of the following is NOT an essential requirement of steam power station design?

- Ans  A. Reliability
- B. Use of automatic equipment
- C. Extensibility
- D. Maximum capital cost

Question ID : 9277592031  
Status : Answered  
Chosen Option : B

Q.144 Which of the following is NOT essential in a nuclear-fueled power producing system?

- Ans  A. A controlled fusion heat source
- B. A coolant system to transfer the heat produced
- C. A coolant system to remove the heat produced
- D. Equipment to convert thermal energy contained in the hot coolant to electric power

Question ID : 9277592044  
Status : Answered  
Chosen Option : B

Q.145 Which of the following is NOT an advantage of pipeline coal transport system for thermal power plants?

- Ans  A. Manpower requirement is low.
- B. It provides simplicity in installation and increased safety in operation.
- C. Loss of coal during transport due to theft and pilferage is partially eliminated.
- D. High degree of reliability.

Question ID : 9277592029  
Status : Answered  
Chosen Option : C

Q.146 What does 'Z' denote in EMF equation of DC generator –  $P\phi ZN / 60N$ ?

- Ans
- A. Induced EMF in any parallel lane within the armature
  - B. Total number of armature conductors
  - C. Number of parallel planes in conductor
  - D. Number of parallel lanes within the armature

Question ID : 9277591990  
Status : Answered  
Chosen Option : B

Q.147 Which of the following is NOT one of the most common language structures of PLC programming?

- Ans
- A. Forward language
  - B. Ladder diagram
  - C. Boolean language
  - D. Function chart

Question ID : 9277592004  
Status : Answered  
Chosen Option : A

Q.148 Which of the following is NOT one of the economic advantages of an HVDC transmission system when compared to an AC transmission system?

- Ans
- A. The HVDC lines can be built in one go, i.e. in a single stage, while the HVAC can be built in two stages.
  - B. The supporting structure required for an HVDC transmission system is narrow, whereas an AC transmission system requires a lattice structure.
  - C. Line losses in HVDC transmission are less when compared to AC transmission for the same power transfer capacity.
  - D. It requires only one conductor when compared to AC system, which requires several conductors.

Question ID : 9277592057  
Status : Answered  
Chosen Option : D

Q.149 Which of the following is NOT necessary to be checked while maintaining stay wire?

- Ans
- A. Creeper on the stay wire
  - B. Guy wire tightness
  - C. Inclined length of stay wire
  - D. Corrosion of guy rod and stay wire

Question ID : 9277592096  
Status : Answered  
Chosen Option : C

Q.150 EQU, LES, LEQ instructions are examples of which of the following instructions?

- Ans  A. Comparison instructions  
 B. Sequencer instructions  
 C. Data handling instructions  
 D. Composite instructions

Question ID : 9277592091  
Status : Not Answered  
Chosen Option : --

Section : General Knowledge or Awareness

Q.1 The President of India may nominate not more than \_\_\_\_\_ member/s of the Anglo-Indian community to the Lok Sabha.

- Ans  A. three  
 B. two  
 C. one  
 D. four

Question ID : 9277592122  
Status : Answered  
Chosen Option : B

.2 'गर्ल, वुमन, अदर (Girl, Woman, Other)' पुस्तक के लेखक कौन हैं?

Ans

- XA. मरिएके लुकास रिज्नेवेल्ड (Marieke Lucas Rijneveld)  
XB. डगलस स्टुअर्ट (Douglas Stuart)  
XC. बर्नार्दिन एवरिस्टो (Bernardine Evaristo)  
XD. मार्गरेट एटवुड (Margaret Atwood)

Question ID : 9277592119  
Status : Not Answered  
Chosen Option : --

Q.3 How many Mahajanapadas or 'Great Kingdoms' existed in ancient India during the lifetime of Lord Gautam Buddha?

- Ans  A. 12  
 B. 10  
 C. 16  
 D. 14

Question ID : 9277592117  
Status : Answered  
Chosen Option : C



Q.4 14 वें वित्त आयोग के अध्यक्ष कौन हैं?

- Ans  A. विजय केलकर  
 B. अरविंद सुब्रमण्यम  
 C. वाई.वी. रेड्डी  
 D. सी. रंगराजन

Question ID : 9277592109  
Status : Answered  
Chosen Option : C

Q.5 The noted musician Shujaat Husain Khan is associated with which of the following musical instruments?

- Ans  A. Sarod  
 B. Sitar  
 C. Tabla  
 D. Flute

Question ID : 9277592106  
Status : Answered  
Chosen Option : A

Q.6 Who founded the Slave dynasty in India?Ans

- A. Rukn-ud-din Firuz  
 B. Qutub-ud-din Aibak  
 C. Ghiyas-ud-din Balban  
 D. Shams-ud-din Iltutmish

Question ID : 9277592118  
Status : Answered  
Chosen Option : B

Q.7 Who represented India at the 18th meeting of Prosecutors General of SCO (Shanghai Cooperation Organisation) held in October 2020?

- Ans  A. Additional Solicitor General Aman Lekhi  
 B. Attorney General KK Venugopal  
 C. Additional Solicitor General Vikramjit Banerjee  
 D. Solicitor General Tushar Mehta

Question ID : 9277592120  
Status : Answered  
Chosen Option : D

Q.8 Which of the following controls the beating of the heart and respiratory movement in human beings?

- Ans  A. Pituitary gland  
 B. Spinal nerves  
 C. Spinal cord  
 D. Medulla oblongata

Question ID : 9277592111  
Status : Answered  
Chosen Option : D

Q.9 When is National Girl Child Day celebrated every year in India?

- Ans  A. 31 October  
 B. 27 November  
 C. 3 July  
 D. 24 January

Question ID : 9277592105  
Status : Not Answered  
Chosen Option : --

Q.10 निम्न में से किसने प्रथम गोल मेज सम्मलेन में हिस्सा नहीं लिया था?

- Ans X A. मुस्लिम लीग  
X B. उदारवादी (The Liberals)  
X C. हिन्दू महासभा  
D. भारतीय राष्ट्रीय कांग्रेस

Question ID : 9277592116  
Status : Answered  
Chosen Option : A

Q.11 Bangladesh is NOT bordered by which of the following Indian states?

- Ans  A. Assam  
 B. West Bengal  
 C. Nagaland  
 D. Meghalaya

Question ID : 9277592113  
Status : Answered  
Chosen Option : A

Q.12 \_\_\_\_\_ की बात करें, तो यह जी.डी.पी (GDP) में बढ़ते मूल्य और अवनति सहित धीमी आर्थिक वृद्धि और अपेक्षाकृत उच्च बेरोजगारी की स्थिति है।

- Ans
- A. लागताधिक्य मुद्रास्फीति (Cost-push inflation)
  - B. मांग जन्य मुद्रास्फीति (Demand-pull inflation)
  - C. मंदी (Depression)
  - D. मुद्रास्फीतिजनित मंदी (Stagflation)

Question ID : 9277592110  
Status : Answered  
Chosen Option : D

Q.13 Which Sikh Guru established the Khalsa Panth?

- Ans
- A. Guru Gobind Singh
  - B. Guru Tegh Bahadur
  - C. Guru Nanak Dev
  - D. Guru Hargobind

Question ID : 9277592107  
Status : Answered  
Chosen Option : A

Q.14 Which of the following is the symbol for wavelength?

- Ans
- A. Hertz
  - B. Lambda
  - C. Beta
  - D. Alpha

Question ID : 9277592112  
Status : Answered  
Chosen Option : B

Q.15 How many banks were nationalised by the Government of India in the year 1980?

- Ans
- A. Six
  - B. Seven
  - C. Five
  - D. Eight

Question ID : 9277592108  
Status : Answered  
Chosen Option : D

Q.16 भारत की सबसे बड़ी खारे पानी की झील कौन-सी है?

- Ans
- A. जम्मू और कश्मीर में वुलर झील
  - B. ओडिशा में विलिका झील
  - C. महाराष्ट्र में लोनार झील
  - D. राजस्थान में पुष्कर झील

Question ID : 9277592115

Status : Answered

Chosen Option : B

Q.17 In December 2020, which country was banned from using its name, flag and anthem at the next two Olympics or at any world championships for the next two years?

- Ans
- A. Cuba
  - B. China
  - C. Russia
  - D. North Korea

Question ID : 9277592124

Status : Answered

Chosen Option : C

Q.18 The first speaker of the Lok Sabha was:

- Ans
- A. GV Mavalankar
  - B. KS Hegde
  - C. M AnanthasayanamAyyangar
  - D. Rabi Ray

Question ID : 9277592121

Status : Answered

Chosen Option : A

Q.19 India skipper Virat Kohli became the fastest cricketer to score 12,000 ODI runs on 2 December 2020, breaking the record held by \_\_\_\_\_

- Ans
- A. SR Tendulkar
  - B. ST Jayasuriya
  - C. RT Ponting
  - D. KC Sangakkara

Question ID : 9277592123

Status : Answered

Chosen Option : A

Q.20 नदीय द्वीप माजुली, किस नदी में अवस्थित है?

Question ID : 9277592114

Status : Answered

Chosen Option : C

- Ans
- A. कोसी
  - B. सतलुजा
  - C. ब्रह्मपुत्र
  - D. गंगा

Section : Reasoning

Q.1 If 'L' is the brother of 'Q', 'M' is the wife of 'L', 'N' is the father of 'Q', and 'P' is the only son of 'M', then how is 'P' related to 'N'?

- Ans
- A. Grandson
  - B. Brother
  - C. Father
  - D. Son

Question ID : 9277592138

Status : Answered

Chosen Option : A

Q.2 In a certain code language, if "GOAT" is coded as 7-15-1-20 and "WOLF" is coded as 23-15-12-6, then how will "LION" be coded as in the same language?

- Ans
- A. 13-10-14-15
  - B. 11-9-16-15
  - C. 11-9-15-16
  - D. 12-9-15-14

Question ID : 9277592126

Status : Answered

Chosen Option : D

Q.3 निम्न सूचना को ध्यानपूर्वक पढ़ें और उसके बाद दिए गए प्रश्न का उत्तर दें।

पाँच बच्चे, A, B, C, D, और E, विभिन्न रंगों (मजेन्टा, नारंगी, बैंगनी, पीले तथा नीले) के कपड़े पहने हुए हैं, लेकिन वे अनिवार्य रूप से इसी क्रम में नहीं पहने हुए हैं। उनमें से प्रत्येक, आलू, बैंगन, लोकी, फली और फूलगोभी में से कोई एक सब्जी पसंद करता है। C ने मजेन्टा रंग के कपड़े पहने हैं B को बैंगन और लौकी पसंद नहीं है। D को फली पसंद है और वह नीले रंग के कपड़े पहने हुए है। बैंगनी रंग के कपड़े पहने हुए लड़की को बैंगन पसंद है। E को आलू पसंद है लेकिन वह पीले या बैंगनी रंग के कपड़े नहीं पहने हुए है। C को लौकी पसंद है।

गोभी किसे पसंद है?

- Ans
- XA.D
  - B. B
  - Xc.c
  - XD. A

Question ID : 9277592137

Status : Answered

Chosen Option : B

Q.4 In a certain code language, if "DAY" is coded as 9 and "NIGHT" is coded as 25, then how will "EVENING" be coded as in the same language?

- Ans  A. 49  
 B. 32  
 C. 28  
 D. 22

Question ID : 9277592125  
Status : Answered  
Chosen Option : B

Q.5 In a certain code, 5237 means "India is our country", and 22637 means "It is famous for culture".  
Which of the following is the code for "I love my India"?

- Ans  A. 1529  
 B. 1425  
 C. 2837  
 D. 7945

Question ID : 9277592128  
Status : Answered  
Chosen Option : B

Q.6 एक कक्षा में 54 विद्यार्थी हैं लड़कियों की संख्या लड़कों की संख्या से आधी है। अनीता की रैंक शीर्ष से 19वीं है और सात लड़कियों की रैंक अनीता से ऊपर है। अनीता की रैंक कितने लड़कों से ऊपर है?

- Ans  
 A. 25  
 B. 23  
 C. 27  
 D. 20

Question ID : 9277592136  
Status : Answered  
Chosen Option : B

EAD GROUP

Q.7 दिए गए कथन पर विचार कीजिए और निर्धारित कीजिए कि दी गई अवधारणाओं में से कौन-सी अवधारणाएं कथन में अंतर्निहित हैं/हैं।

कथन:

जब प्रत्येक व्यक्ति को कोविड-19 का टीका लग जाएगा, तो महामारी समाप्त हो जाएगी और हम सार्वजनिक स्थानों पर बिना मास्क लगाए जा सकेंगे।

अवधारणा:

1. जब तक कोविड-19 महामारी समाप्त नहीं हो जाती है, तब तक हमें सार्वजनिक स्थानों पर मास्क पहनना चाहिए।
- II. जब किसी व्यक्ति को कोविड-19 का टीका लग जाता है, तब वह सार्वजनिक स्थानों पर बिना मास्क लगाए जा सकता है।

Ans

X A. न तो अवधारणा और न ही अवधारणा II अंतर्निहित है

X B. केवल अवधारणा II अंतर्निहित है।

X C. अवधारणाएं और दोनों अंतर्निहित हैं

D. केवल अवधारणा I अंतर्निहित है

Question ID : 9277592141

Status : Answered

Chosen Option : D

Q.8 दिए गए कथनों और निष्कर्षों को ध्यानपूर्वक पढ़ें। यह मानते हुए कि कथनों में दी गई जानकारी सत्य है, भले ही वह सामान्य रूप से ज्ञात तथ्यों से भिन्न प्रतीत होती हो, निर्धारित कीजिए कि दिए गए निष्कर्षों में से कौन से

निष्कर्ष कथनों का तार्किक रूप से अनुसरण करते हैं।

कथन:

सभी बकरियां 'बिल्लियाँ' हैं

सभी बिल्लियां 'पशु' हैं।

निष्कर्ष :

1. सभी बकरियां पशु हैं।

II. कुछ 'पशु' बिल्लियां हैं।

Ans

X A. न तो निष्कर्ष और न ही I अनुसरण करता है।

X B. केवल निष्कर्ष II अनुसरण करता है

C. निष्कर्ष I और II दोनों अनुसरण करते हैं।

X D. केवल निष्कर्ष I अनुसरण करता है।

Q.9 यदि 'हरियाणा' को 'पंजाब' कहा जाता है, 'पंजाब' को 'राजस्थान' कहा जाता है, 'राजस्थान' को 'तेलंगाना' कहा जाता है, 'तेलंगाना' को 'गुजरात' कहा जाता है, 'गुजरात' को 'मध्य प्रदेश' कहा जाता है और 'मध्य प्रदेश' को 'असम' कहा जाता है, तो स्टेट्यू ऑफ यूनिटि किस राज्य में स्थित है?

- Ans
- A. गुजरात
  - B. तेलंगाना
  - C. राजस्थान
  - D. मध्य प्रदेश

Question ID : 9277592131

Status : Answered

Chosen Option : D

Q.10 In a certain code,

Min Fin Dig means "Mohan is doctor", and

Sic Ric Min Dic Fin means "Profession of doctor is noble".

Which of the following is the code for "Mohan"?

- Ans
- A. Min
  - B. Fin
  - C. Dic
  - D. Dig

Question ID : 9277592129

Status : Answered

Chosen Option : D

Q.11 पांच विद्यार्थी नीतू, अमन, काव्या, सुनील और मनीषा स्कूल की रैंकिंग में शीर्ष पाँच रैंक पर हैं। अमन की रैंक ठीक नीतू से ऊपर की है। काव्या की रैंक दूसरी है। अमन की रैंक मनीषा और नीतू के बीच की है। स्कूल में शीर्ष रैंक किसकी है?

- Ans
- X A. नीतू
  - X B. अमन
  - X C. मनीषा
  - D. सुनील

Question ID : 9277592135

Status : Answered

Chosen Option : D



Q.12 दिए गए कथनों और निष्कर्षों को ध्यानपूर्वक पढ़ें। यह मानते हुए कि कथनों में दी गई जानकारी सत्य है, भले ही वह सामान्य रूप से ज्ञात तथ्यों से भिन्न प्रतीत होती हो, निर्धारित कीजिए कि दिए गए निष्कर्षों में से कौन से निष्कर्ष कथनों का तार्किक रूप से अनुसरण करते हैं।

कथन:

कुछ कारें बैन हैं।

सभी वैन स्कूटर हैं।

सभी कारें बसें हैं।

निष्कर्ष :

1. कुछ बसें स्कूटर हैं। II. कुछ स्कूटर कारें हैं। III. कुछ बसें वैन हैं।

Ans

A. निष्कर्ष I II और III सभी अनुसरण करते हैं

X B. केवल निष्कर्ष I और III अनुसरण करते हैं

X C. केवल निष्कर्ष और II अनुसरण करते हैं

Question ID : 9277592139

Status : Answered

Chosen Option : A

Q. 13 उस विकल्प का चयन कीजिए जो निम्न दो कथनों के संदर्भ में सत्य है, जिन्हें अभिकथन (A) और कारण (R) का नाम दिया गया है।

अभिकथन (A): हमें प्रतिदिन कुछ समय के लिए सूर्य के प्रकाश में बैठना चाहिए।

कारण (R): विटामिन D एक ऐसा विशिष्ट विटामिन है, जो तब निर्मित होता है जब आपकी त्वचा में मौजूद कोलेस्ट्रॉल सूर्य के प्रकाश के संपर्क में आते हैं।

Ans

XA. A' सत्य है लेकिन 'R' असत्य है।

X BA' और 'R' सत्य हैं और 'R', 'A' का सही स्पष्टीकरण नहीं है।

C. A' और 'R' सत्य हैं और 'R', 'A' का सही स्पष्टीकरण है।

X D. A' असत्य है 'R' सत्य है।

EAD GROUP

Q.14 एक पंक्ति में, विद्या बाई ओर से 17वें स्थान पर है और किरन दाई ओर से 21वें स्थान पर है। यदि वे अपने-अपने स्थान आपस में बदल लेती हैं, तो विद्या बाई ओर से 28वें स्थान पर पहुंच जाती है। अब किरन की दाई ओर से स्थिति क्या होगी?

- Ans  A. 40वीं  
 B. 32वीं  
 C. 25वीं  
 D. 36वीं

Question ID : 9277592134

Status : Answered

Chosen Option : B

Q.15 इस प्रश्न में एक कथन के बाद दो कार्यवाहियां और II दी गई हैं। यह मानते हुए कि कथन में दी गई समस्त जानकारी सत्य है, निर्धारित कीजिए कि सुझाई गई कौन सी कार्यवाही तार्किक रूप से कथन का अनुसरण करती है/हैं।

कथन:

ब्रिटेन में कोरोना वाइरस का नया स्ट्रेन पाया गया है, यह भारत में पाए जाने वाले कोरोना वाइरस से 70% अधिक खतरनाक है।

कार्यवाही :

1. भारत को ब्रिटेन से आने वाली समस्त हवाई उड़ानों को अगले एक वर्ष के लिए प्रतिबंधित कर देना चाहिए। II. भारत सरकार को चाहिए कि वह समस्त साधनों का उपयोग करते हुए जनसामान्य को यह बताए कि कोविड-19 के विरुद्ध लड़ाई अभी जारी है, सार्वजनिक स्थानों पर मास्क पहनने तथा एक-दूसरे से उचित दूरी बनाए रखने में कोई चूक न हो।

Ans

X A. न तो और न ही II अनुसरण करता है

B. केवल II अनुसरण करता है।

X C. केवल I अनुसरण करता है

X D. I और II दोनों अनुसरण करते हैं।

Question ID : 9277592142

Status : Answered

Chosen Option : B

Q.16 सात मित्र, रिया, महिमा, जगत, कबीर, सीता, तनु और गरिमा एक गोल मेज के परितः इसके केंद्र की ओर अभिमुख होकर बैठे हैं। तनु, गरिमा के दाई ओर तीसरे स्थान पर बैठी है। सीता और जगत, गरिमा के बगल में नहीं बैठे हैं। सीता ठीक तनु के बाईं ओर पड़ोस में बैठी है। कबीर ठीक रिया और जगत के बीच में बैठा है। सीता के ठीक बाईं ओर पड़ोस में कौन बैठा है?

Ans

X A तनु

X B. कबीर

C. महिमा

X D. रिया

Question ID : 9277592132

Status : Answered

Chosen Option : C

Q.17 उस विकल्प का चयन कीजिए जो निम्न दो कथनों के संदर्भ में सत्य है, जिन्हें अभिकथन (A) और कारण (R) का नाम दिया गया है।

अभिकथन (A): एक वर्ष में सर्वाधिक वर्षा होने का गिनीज विश्व रिकार्ड चेरापूंजी के नाम है।

कारण (R): चेरापूंजी या सोहरा भारतीय राज्य मेघालय के पूर्वी खासी हिल्स जिले में स्थित एक उप-मंडलीय कस्बा है।

- Ans  A. A' और 'R' सत्य हैं और 'R', 'A' का सही स्पष्टीकरण नहीं है।  
 B. A' असत्य है 'R' सत्य है।  
 C. A' सत्य है लेकिन 'R' असत्य है।  
 D. A' और 'R' सत्य हैं और 'R', 'A' का सही स्पष्टीकरण है।

Question ID : 9277592144

Status : Answered

Chosen Option : D

Q.18 सात अलग-अलग रंगों (लाल, पीले, हरे, गुलाबी, बैंगनी, नीले तथा भूरे) के समरूप डिब्बे एक के ऊपर एक के आधार पर निम्नानुसार रखे गए हैं-

बैंगनी डिब्बा बीच में रखा हुआ है। लाल डिब्बा ठीक हरे और नीले डिब्बे के मध्य में रखा हुआ है। पीला डिब्बा ठीक बैंगनी डिब्बे के ऊपर रखा हुआ है। गुलाबी डिब्बा सबसे ऊपर रखा हुआ है।

किस रंग का डिब्बा नीचे से छठे स्थान पर रखा हुआ है?

Ans

- A. भूरा  
X B. हरा  
X C. नीला  
X D. पीला

Question ID : 9277592133

Status : Answered

Chosen Option : D

Q.19 यदि बुध ग्रह को 'अरुण ग्रह' कहा जाता है, 'अरुण ग्रह' को 'वृहस्पति ग्रह' कहा जाता है, 'वृहस्पति ग्रह' को 'मंगल ग्रह' कहा जाता है, 'मंगल ग्रह' को 'पृथ्वी ग्रह' कहा जाता है, 'पृथ्वी ग्रह' को 'शनि ग्रह' कहा जाता है, 'शनि ग्रह' को 'शुक्र ग्रह' कहा जाता है, और 'शुक्र ग्रह' को 'प्लूटो ग्रह' कहा जाता है, तो हम किस ग्रह पर रहते हैं?

Ans

- A. शनि ग्रह  
X B. पृथ्वी ग्रह  
X C. मंगल ग्रह  
X D. शुक्र ग्रह

Question ID : 9277592130

Status : Answered

Chosen Option : A

Q.20 एक निश्चित कूट भाषा में, यदि "WALL" को ZEQR लिखा जाता है और "DOOR" को GSTX लिखा जाता है, तो उसी भाषा में 'ROOM' को क्या लिखा जाएगा?

Ans

A. USTS

X B. WSTT

X C. URRP

X D. VTST

Question ID : 9277592127

Status : Answered

Chosen Option : A



**EAD GROUP**

Section : General Hindi

Q.1 बलि - बली' शब्द-युग्म का सही अर्थ है-

- Ans  A. बल - वीर  
 B. बलिदान - लकड़ी  
 C. वीर - बलिदान  
 D. बलिदान - वीर

Question ID : 9277592149

Status : Answered

Chosen Option : D

Q.2 निम्नलिखित में से कौन सा शब्द अर्द्धतत्सम है?

- Ans  
A. कारज  
X B. कार्य  
X C. काज  
X D. कर्म

Question ID : 9277592148

Status : Answered

Chosen Option : A

Q.3! किस प्रकार का चिह्न है?

- Ans  
XA पूर्ण विराम  
B. विस्मयादि बोधक  
X C. योजक चिह्न  
XD. अल्प विराम

Question ID : 9277592153

Status : Answered

Chosen Option : B

Q.4 निम्नलिखित में से कौन सा शब्द अर्द्धतत्सम है?

- Ans  
A. अगिन  
X B. अग्नि  
X C. अग्नी  
X D. आग

Question ID : 9277592147

Status : Answered

Chosen Option : A

Q.5 निम्नलिखित में से वर्तनी की दृष्टि से शुद्ध शब्द कौन सा है?

- Ans  A. अभ्यस्त  
 B. अभ्यस्थ  
 C. अभ्यस्त  
 D. अभियस्त

Question ID : 9277592151

Status : Answered

Chosen Option : B

Q.6 धरा - धारा का सही अर्थ है -

- Ans  A. पृथ्वी - लहर  
 B. संपत्ति - नदी  
 C. धारण करना - प्रवाह  
 D. पृथ्वी - प्रवाह

Question ID : 9277592150

Status : Answered

Chosen Option : A

Q.7 निम्नलिखित में से कौन सा शब्द तत्सम है?

- Ans  
A. ग्राम  
X B. गागर  
X C. गाहक  
X D. गाय

Question ID : 9277592145

Status : Answered

Chosen Option : A

Q.8 निम्नलिखित एकवचन बहुवचन के समुच्चय में कौन सा युग्म सही नहीं है?

- Ans  
X A. कपड़ा कपड़े  
X B. आदत आदतें  
X C. लता लताएँ  
D. तिथि तिथिँ

Question ID : 9277592152

Status : Answered

Chosen Option : D

Q.10 निम्न में से कौन सा शब्द तत्सम है?

- Ans  A. तिनका  
 B. तीखा  
 C. त्वोहार  
 D. तैल

Question ID : 9277592154

Status : Answered

Chosen Option : D



***EAD GROUP***